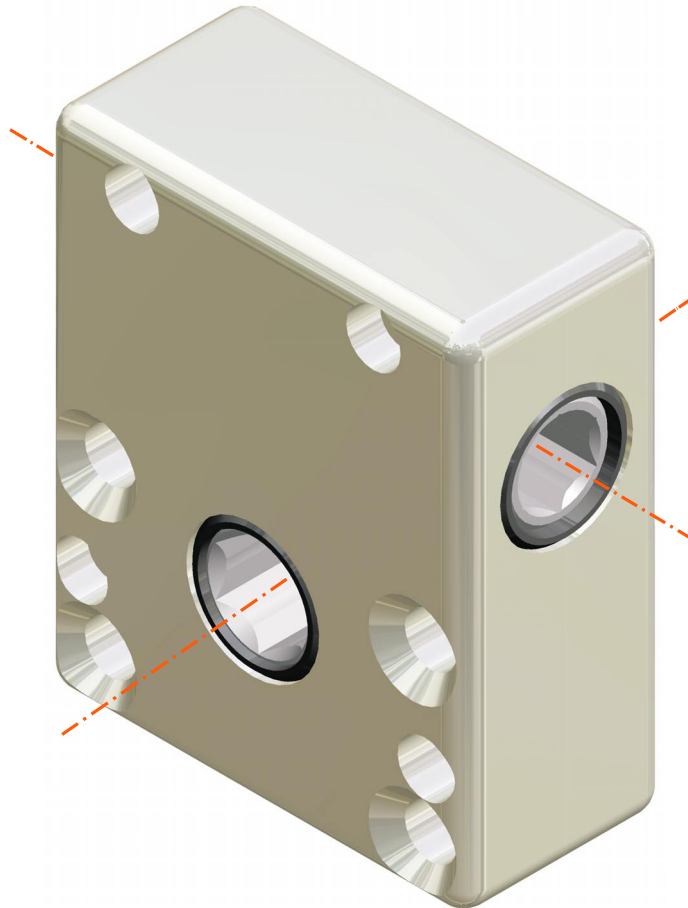


*Worm gear*

4746  
4748  
4750  
4751  
4753  
4757  
4758  
4763  
4767

*Description:*

Compact worm gear. The input is on the small side of the gear. The gears is particularly suitable for manual operation.

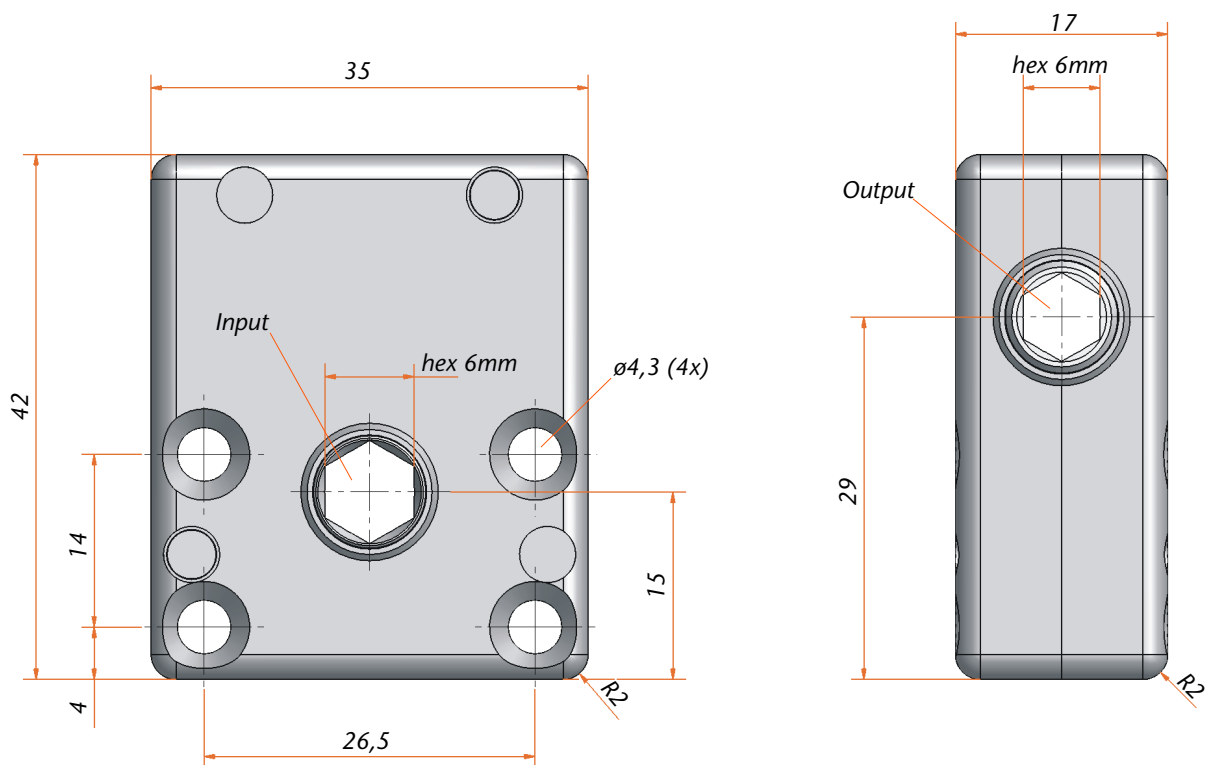
*Special features:*

- Ratio 1 : 1, 2.8 : 1, 4.33 : 1, 10 : 1, 13 : 1, 14 : 1, 15 : 1
- Gear with synthetic friction bearing
- Worm and cog wheel made of case hardened steel
- Housing made of die-cast zinc
- Special model with bronze bearing

*Customer specific:*

On customer request the gear is also available left-handed. The gear can also be supplied with a brake spring which ensures the jolt free funtion.

# Worm gear 4746/4748/4750/4751/4753/4757/4758/4763/4767



## Technical Data

Model	4746.00-00	4748.00-00	4750.00-00	4750.00-01	4751.00-00
Ratio	13 : 1	4,33 : 1	10 : 1	10 : 1	1 : 1
Self-locking	yes	yes	yes	yes	no
Input in mm	hex 6mm	hex 6mm	hex 6mm	hex 6mm	hex 6mm
Output in mm	hex 6mm	hex 6mm	hex 6mm	hex 7mm	hex 6mm
Max. output torque	3 Nm	2 Nm	4 Nm	4 Nm	2 Nm
Max. input torque	1 Nm	3 Nm	3 Nm	3 Nm	4 Nm

Model	4753.00-00	4757.00-00	4758.00-00	4763.00-00	4767.00-00
Ratio	2,8 : 1	14 : 1	15 : 1	23 : 1	2 : 1
Self-locking	no	yes	yes	yes	no
Input in mm	hex 6mm	hex 6mm	hex 6mm	hex 6mm	hex 6mm
Output in mm	hex 6mm	hex 6mm	hex 6mm	hex 6mm	hex 6mm
Max. output torque	2,5 Nm	5 Nm	4 Nm	3 Nm	2 Nm
Max. input torque	3 Nm	2,5 Nm	1 Nm	1 Nm	3 Nm



## **T.E.A. Machine Components Inc.**

*Your partner in quality engineering components since 2003*

Thank you for downloading product information from TEA's wide range of engineering components.

Now, please contact us for any further information, prices and delivery.

Our contact details are:

**T.E.A. Machine Components Inc.**  
**2281-F Dabney Road**  
**Virginia 23230**  
**U.S.A.**

**Ph: +1-804-342-0004**

**Fax: +1-804-342-0006**

**Web: [www.teausa.net](http://www.teausa.net)**

**Email: [sales@teausa.net](mailto:sales@teausa.net)**

You are assured of prompt and efficient service at all times.