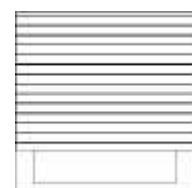


## WORM GEARS



**4718**      **4722**  
**4719**      **4780**  
**4720**      **4781**  
**4721**      **4782**



Transmission ratio 3:1, 7:1, 14:1

Housing made of die-cast zinc.  
 Case-hardened steel worm drive and wheel.

Range of applications:    blinds, rolling shutters

Order No.	4722.00-XXXX	4780.00-XXXX	4718.00-XXXX	4720.00-XXXX
Transmission ratio	3:1	3:1	7:1	7:1
Input in mm	hex. 6 mm	hex. 6 mm	hex. 6 mm	hex. 6 mm
Output in mm	hex. 9 mm continuous	hex. 9 mm continuous	hex. 9 mm continuous	hex. 9 mm continuous
Rotation limiter	without	with	without	with
max. output torque in Nm	3.5	3.5	5.5	5.5

Order No.	4721.00-XXXX	4782.00-XXXX	4719.00-XXXX	4781.00-XXXX
Transmission ratio	7:1	7:1	14:1	14:1
Input in mm	square 7 mm	external hex. 7 mm	hex. 6 mm	hex. 6 mm
Output in mm	hex. 9 mm continuous	hex. 9 mm continuous	hex. 9 mm continuous	hex. 9 mm continuous
Rotation limiter	with	with	without	with
max. output torque in Nm	5.5	5.5	5.5	5.5

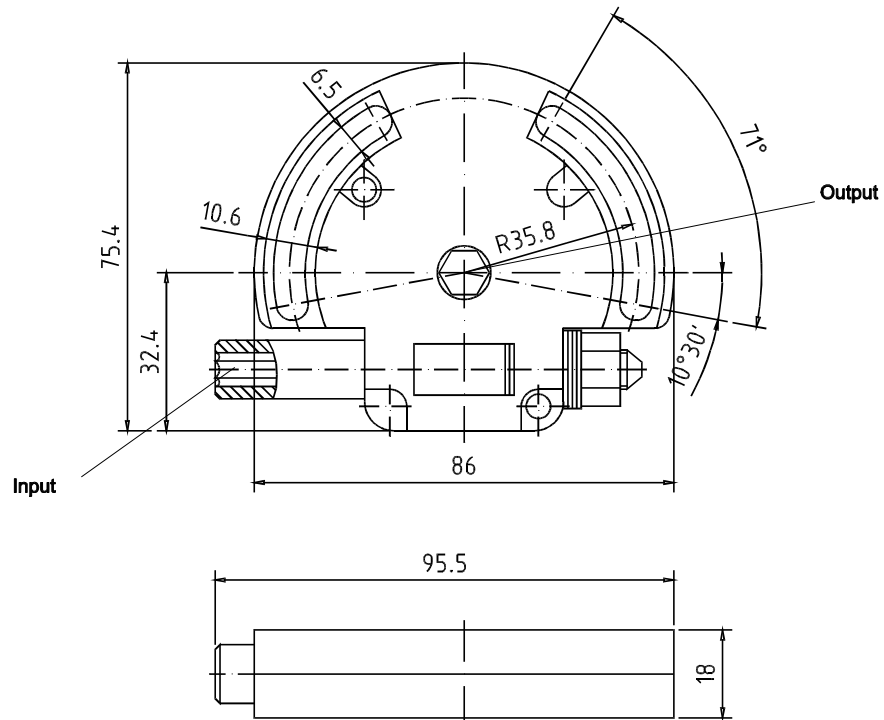
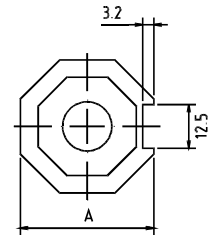
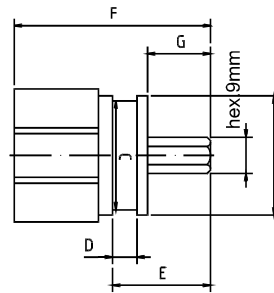
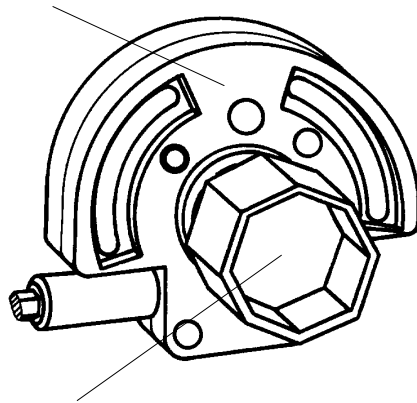
**For crank-handles, see accessories.**

**4718**  
**4719**  
**4720**  
**4721**

**4722**  
**4780**  
**4781**  
**4782**

# WORM GEARS

Order No. with clutch (without clutch Order No. XXXX.XX-0000)							
Order No.	A	B	C	D	E	F	G
XXXX.XX-0001	oct. 38mm	-	-	-	-	88	50
XXXX.XX-0002	oct. 38mm	dia. 34	dia. 31	7	10	56	18
XXXX.XX-0003	oct. 38mm	-	-	-	-	56	18





## **T.E.A. Machine Components Inc.**

*Your partner in quality engineering components since 2003*

Thank you for downloading product information from TEA's wide range of engineering components.

Now, please contact us for any further information, prices and delivery.

Our contact details are:

**T.E.A. Machine Components Inc.**  
**2281-F Dabney Road**  
**Virginia 23230**  
**U.S.A.**

**Ph: +1-804-342-0004**

**Fax: +1-804-342-0006**

**Web: [www.teausa.net](http://www.teausa.net)**

**Email: [sales@teausa.net](mailto:sales@teausa.net)**

You are assured of prompt and efficient service at all times.