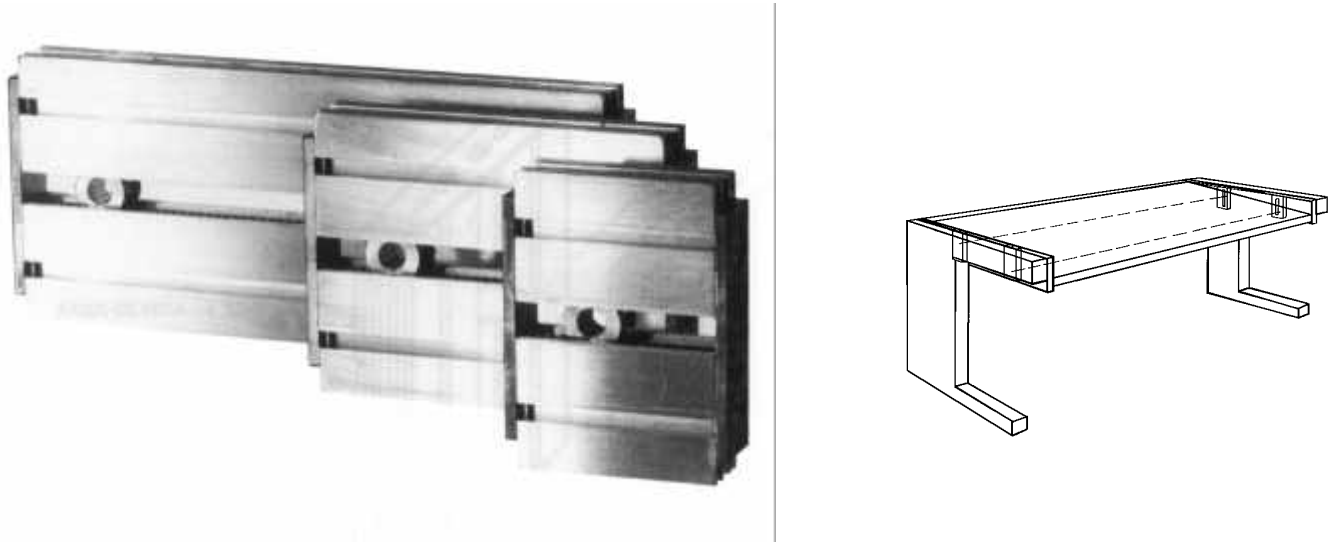


## LIFTING SYSTEMS

### 4723

### 4724



Housing made of aluminium profiles.

Drive wheel made of brass, also in high-strength brass on request.

Stroke height is selectable up to 200 mm.

The lifting system consists of the lifting gear (Order No. 4724) and the output gear (Order No.4723), which are connected by a connecting rod available in any length.

Range of applications: height and angle adjustable tables and work stations

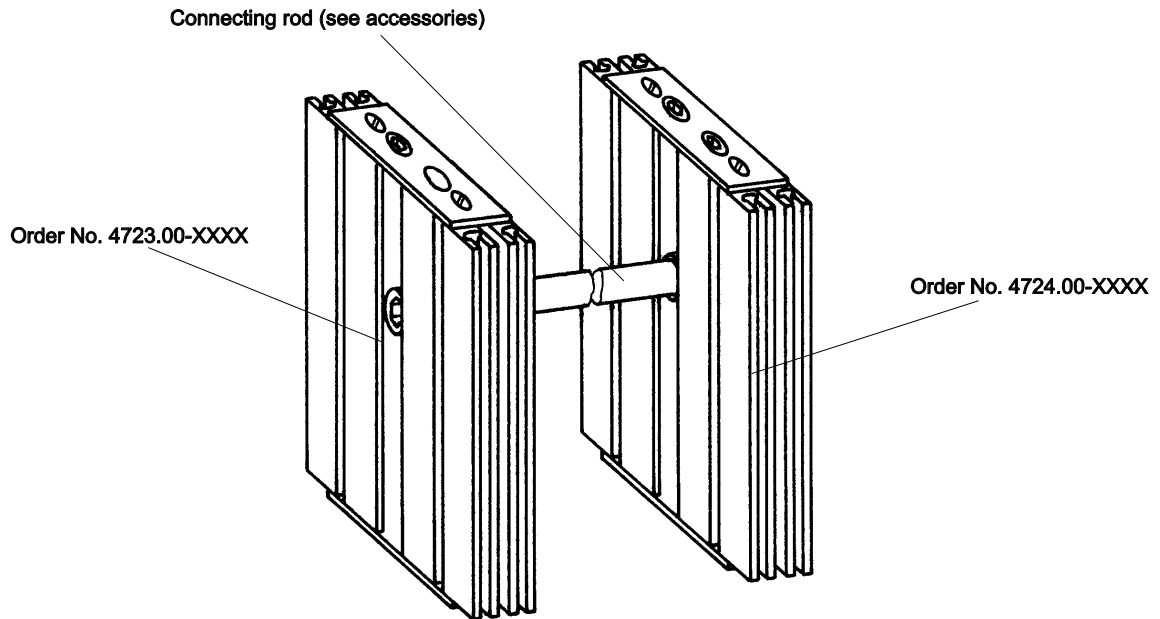
Order No.	4723.00-XXXX	4724.00-XXXX		customer-specific solution
Input in mm	hex. 5 mm	hex. 5 mm		on request
Output in mm	hex. 7 mm	hex. 7 mm		on request
Version	left output	right input		
max. stroke height in mm	selectable up to 200	selectable up to 200		
max. lifting power in N	1000	1000		

The last three figures of the order number determines the desired stroke height.  
e.g. For gear wheels a drive height of 120 mm => Order No. 4723.00-0120

For recommended crank handle, refer to accessories, Order No. 5151.00-00.

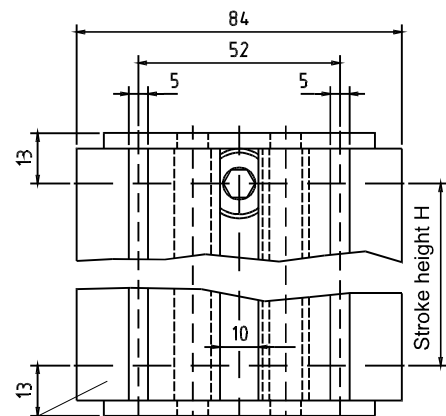
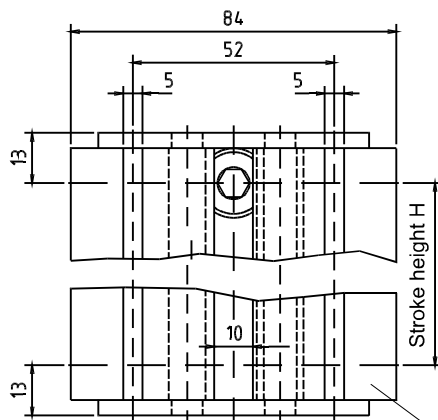
## 4723 4724

## LIFTING SYSTEMS

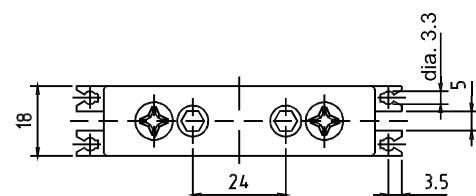
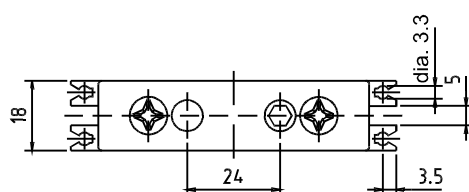


Left version, Order No. 4723.00-XXXX

Right version, Order No. 4724.00-XXXX



Bosch profile





## **T.E.A. Machine Components Inc.**

*Your partner in quality engineering components since 2003*

Thank you for downloading product information from TEA's wide range of engineering components.

Now, please contact us for any further information, prices and delivery.

Our contact details are:

**T.E.A. Machine Components Inc.**  
**2281-F Dabney Road**  
**Virginia 23230**  
**U.S.A.**

**Ph: +1-804-342-0004**

**Fax: +1-804-342-0006**

**Web: [www.teausa.net](http://www.teausa.net)**

**Email: [sales@teausa.net](mailto:sales@teausa.net)**

You are assured of prompt and efficient service at all times.