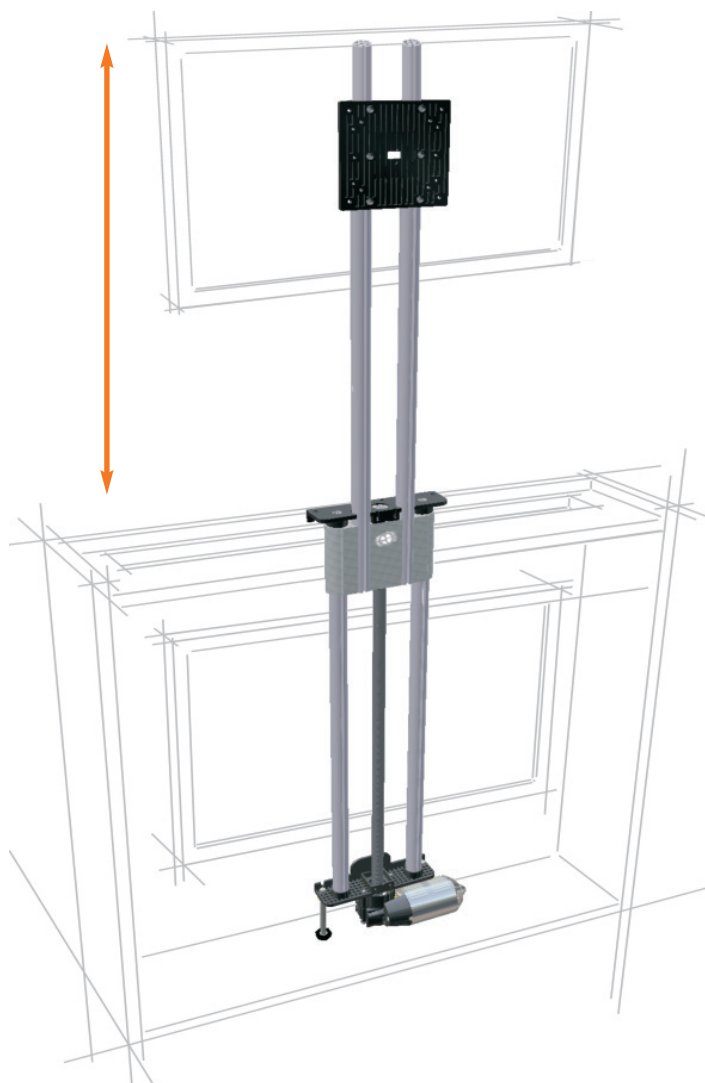


## *Flat screen - lifting system*



4701



### *Description:*

Cost efficient flat-screen adjustment. The desired height is achieved by activating a simple button. Suitable for screen adjustment up to 24".

### *Special features:*

The compact design of the lifting system allows simple and fast mounting to any piece of furniture such as cabinet, sideboard, bed frame, table, office furniture and so on.

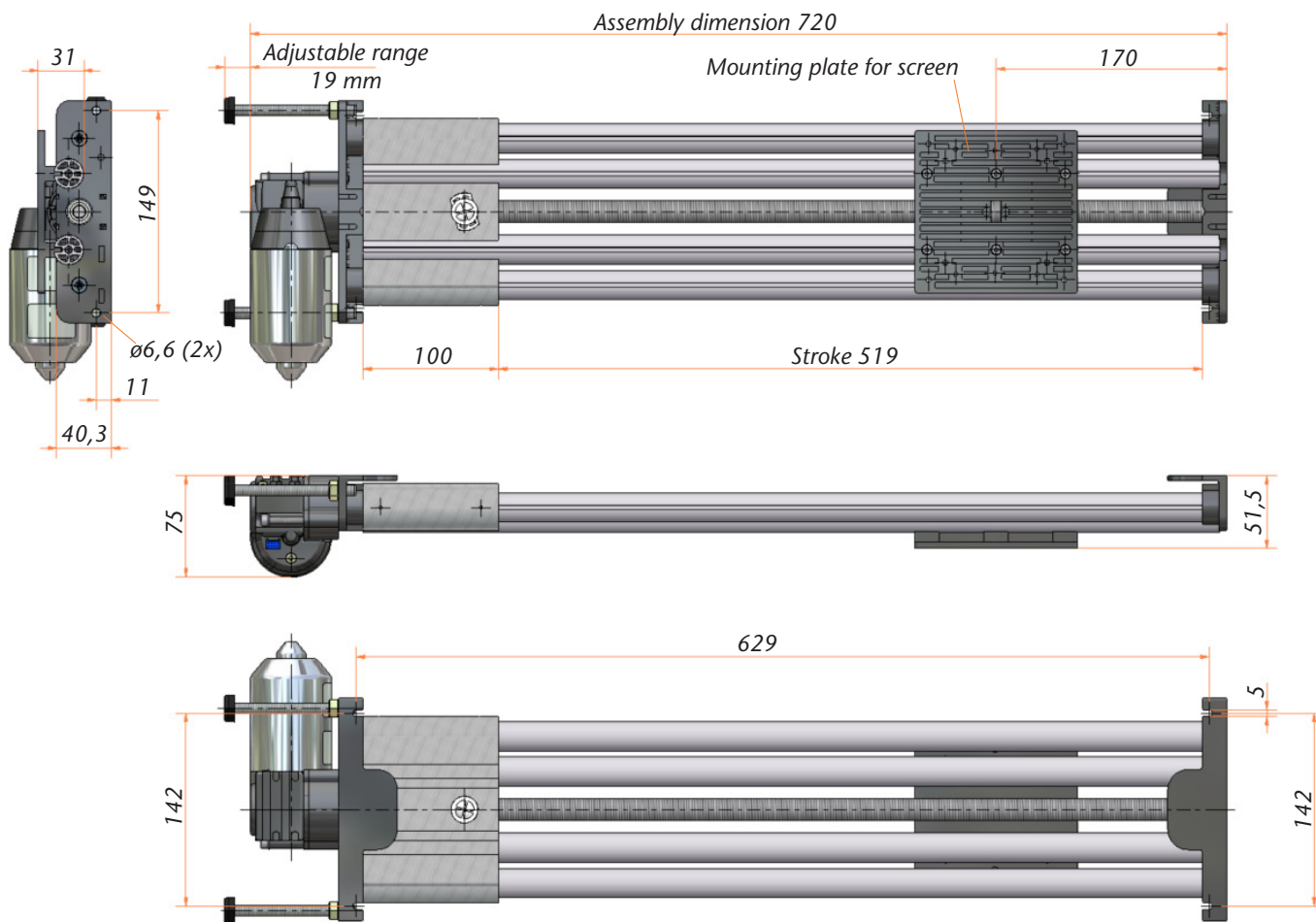
### *Customer specific:*

Because of the modular design it is possible to meet special customer requirements even for small quantities.

### *Caution:*

In order to assure a free movement of the lifting system you have to attend that there are no objects in the adjustable range of the screen.

# Flat screen - lifting system 4701

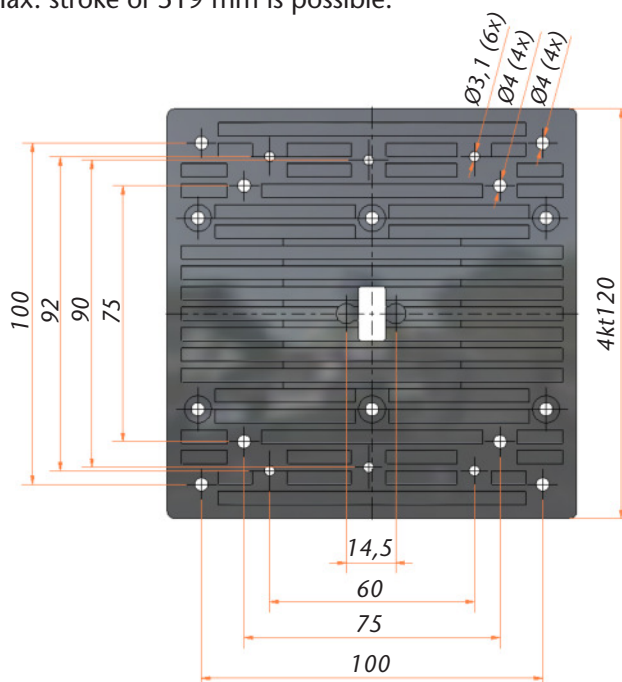


Using a control the flat-screen can be raised continuously to any desired position. Flat screens with a maximum weight of 25 kg can be adjusted stepless vertically. Also suitable for mounting of wide screens of the latest generation up to 24".

Stroke can be adjusted to customer specific requirements. Max. stroke of 519 mm is possible.

## Technical data

Model	4701
Type of spindle	SG15,8x44,3P4,43 right
Stroke max. in mm	retracted height -210
Retracted length in mm	720
Max. lifting force in N	200
Speed of movement mm/s	90



\*\* in combination with control box LogicS/LogicB



## **T.E.A. Machine Components Inc.**

*Your partner in quality engineering components since 2003*

Thank you for downloading product information from TEA's wide range of engineering components.

Now, please contact us for any further information, prices and delivery.

Our contact details are:

**T.E.A. Machine Components Inc.**  
**2281-F Dabney Road**  
**Virginia 23230**  
**U.S.A.**

**Ph: +1-804-342-0004**

**Fax: +1-804-342-0006**

**Web: [www.teausa.net](http://www.teausa.net)**

**Email: [sales@teausa.net](mailto:sales@teausa.net)**

You are assured of prompt and efficient service at all times.