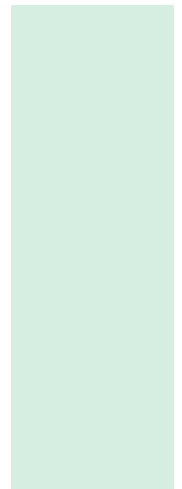
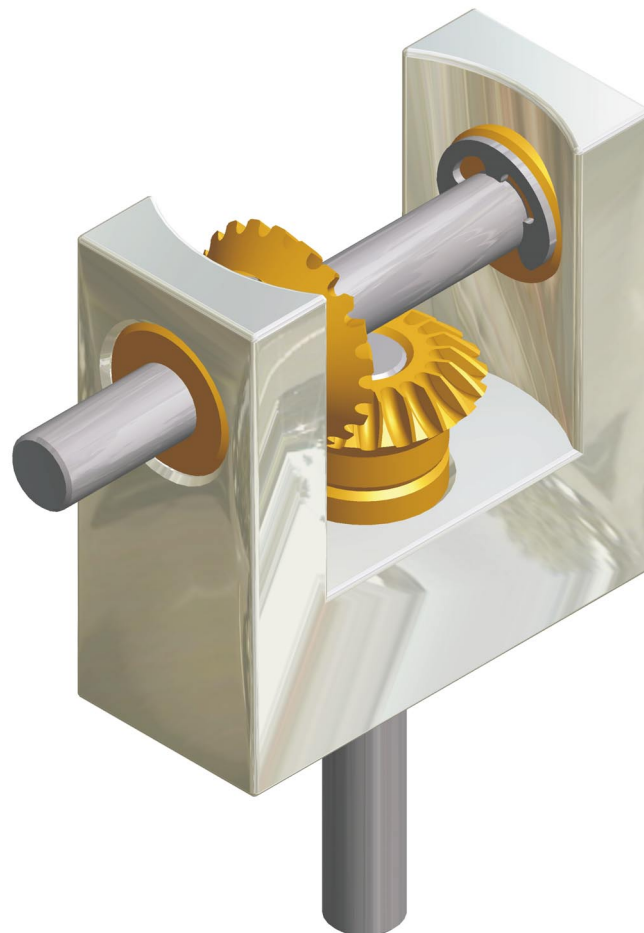


Bevel gear



3 4 5 0



Description:

Simple angular gear for actuating units.

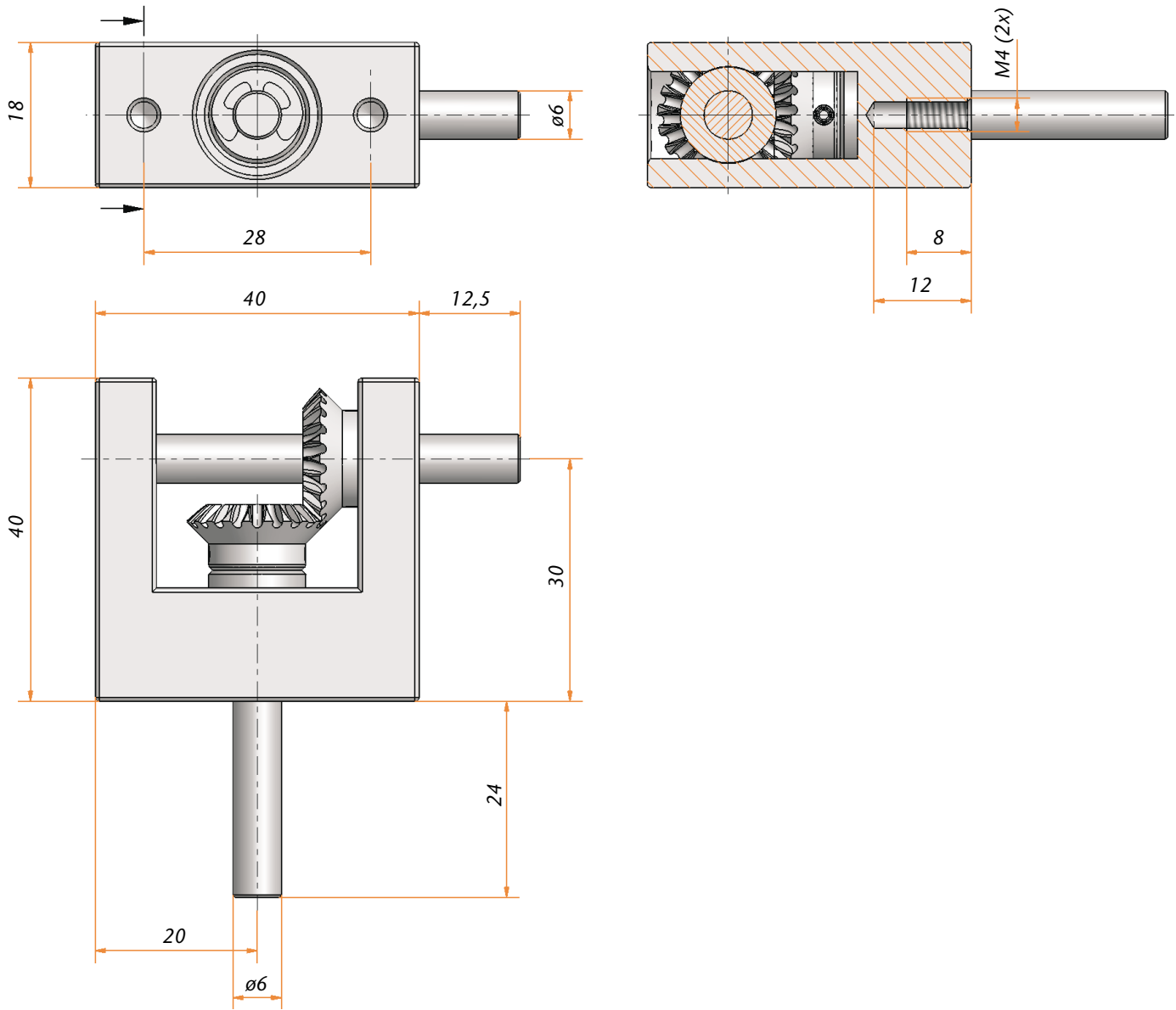
Customer specific:

Customer specific solutions on request.

Special features:

- Ratio 1 : 1
- Housing made of die-cast zinc
- Cog wheels made of high tensile strength brass
- Bearing made of sintered high tensile strength brass

Bevel gear 3450



Technical Data

Model	3450
Ratio	1 : 1
Input in mm	$\varnothing 6$
Output in mm	$\varnothing 6$
Max. output torque	0,8 Nm



T.E.A. Machine Components Inc.

Your partner in quality engineering components since 2003

Thank you for downloading product information from TEA's wide range of engineering components.

Now, please contact us for any further information, prices and delivery.

Our contact details are:

T.E.A. Machine Components Inc.
2281-F Dabney Road
Virginia 23230
U.S.A.

Ph: +1-804-342-0004

Fax: +1-804-342-0006

Web: www.teausa.net

Email: sales@teausa.net

You are assured of prompt and efficient service at all times.