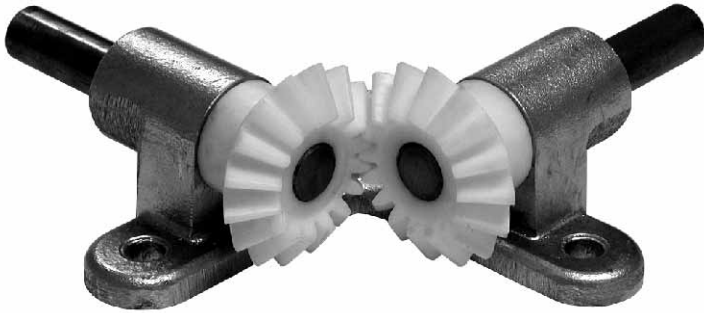
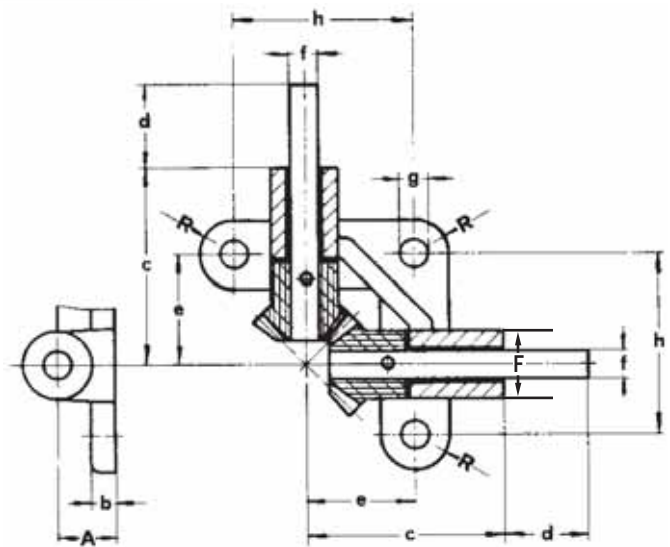


Right Angle Drives - Type PV - Maintenance Free



- An extremely inexpensive bevel gear drive
- Bevel gears: plastic
- Ratio: 1:1
- Case: cast aluminium
- Shafts: steel St 60 ground
- Bearings: plastic
- No axial load
- All sizes generally in stock



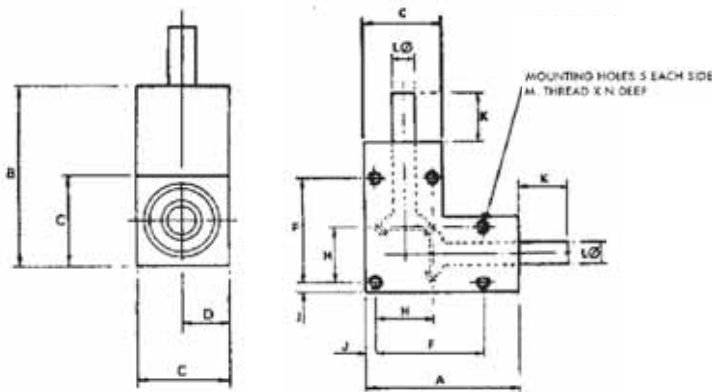
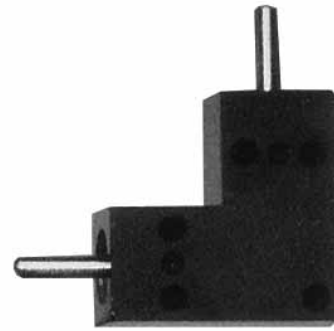
Part No.	Module	A	b	c	d	e	f-h6	g	h	R	F	Power in kW		
												rpm		
												100	400	800
PV 10	1.0	10	4	35	15	19.4	5	4.8	32	6	13	0.004	0.006	0.01
PV 15	1.5	15	5	50	20	28.4	8	5.8	45	9	20	0.008	0.04	0.06
PV 20	2.0	20	6	60	30	35	10	7	55	11	24	0.01	0.07	0.11
PV 25	2.5	25	7	70	35	41	12	9	65	12.5	26	0.03	0.12	0.22
PV 30	3.0	30	8	80	40	47.5	15	9	75	15	31	0.05	0.21	0.35
PV 35	3.5	35	9	90	45	54	18	11	85	16	35	0.08	0.35	0.65

All dimensions in mm.
All dimensions are subject to change without notice.

Right Angle Drives - Type L

High Precision 1:1 Bevel Gearbox with Stainless Steel Shafts

- Case: black anodized aluminium alloy
- Bevel Gears: steel BS 970 817 M40T
- Shafts: stainless steel
- Bearings: ball races sealed or shielded type
- Lubrication: Kenomax 2 Grease - packed for life
- Temperature Range: -20°C to +150°C
- Max. input speed: 3000rpm
- Max. backlash: 1°
- Torque & Speed Graph: available on request



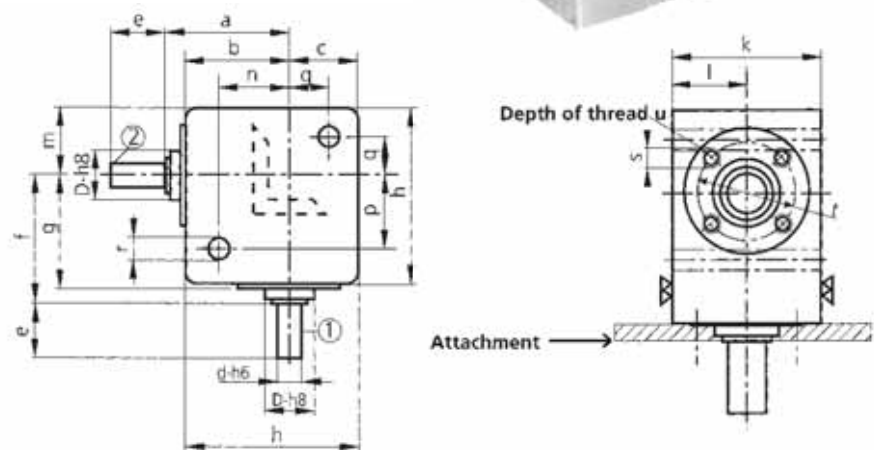
Part No.	L1	L2	L3
Dimension: A	40	60	80
B	40	60	80
C	20	30	40
D	10	15	20
F	25	40	55
H	12	20	30
J	4	5	5
K	15	20	25
L	4	8	12
M	M4	M5	M6
N	5	7	9
Weight grms	80	265	665

Right Angle Drives - Type LM

For general mechanical engineering

Type LM 12-1 = 1 output shaft
LM 12-1D = 2 output shafts

- Lightweight design
- Lubrication: Grease - for lifetime
- Ratio: 1:1
- Max input speed: 1000rpm
- Housing: Aluminium alloy



Part No.	Ratio	Dimensions																			Weight g	
		a	b	c	d-h6	D-he	e	f	g	h	k	l	m	n	o	p	q	r	s	t		u
LM12-1	1:1	27	23.2	17.5	6	12	15	27	23.2	40	32	16	7.5	17.5	-	17.5	12.5	5.5	M4	20	5	0.2
LM12-1D	1:1	25	21.3	21.3	6	12	15	27	23.2	40	32	16	17.5	16	-	17	-	5.5	M4	20	5	0.21

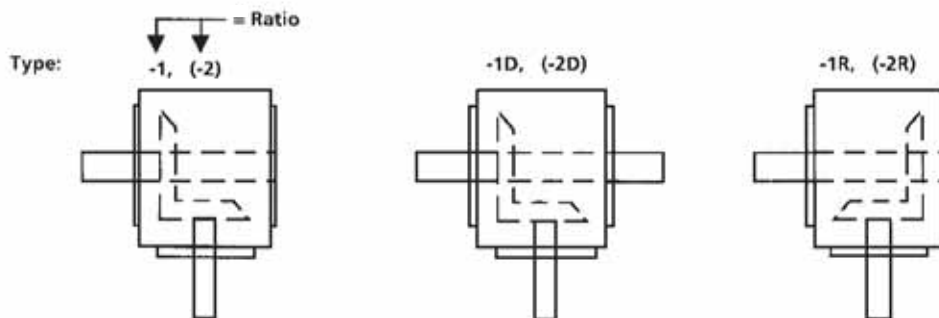
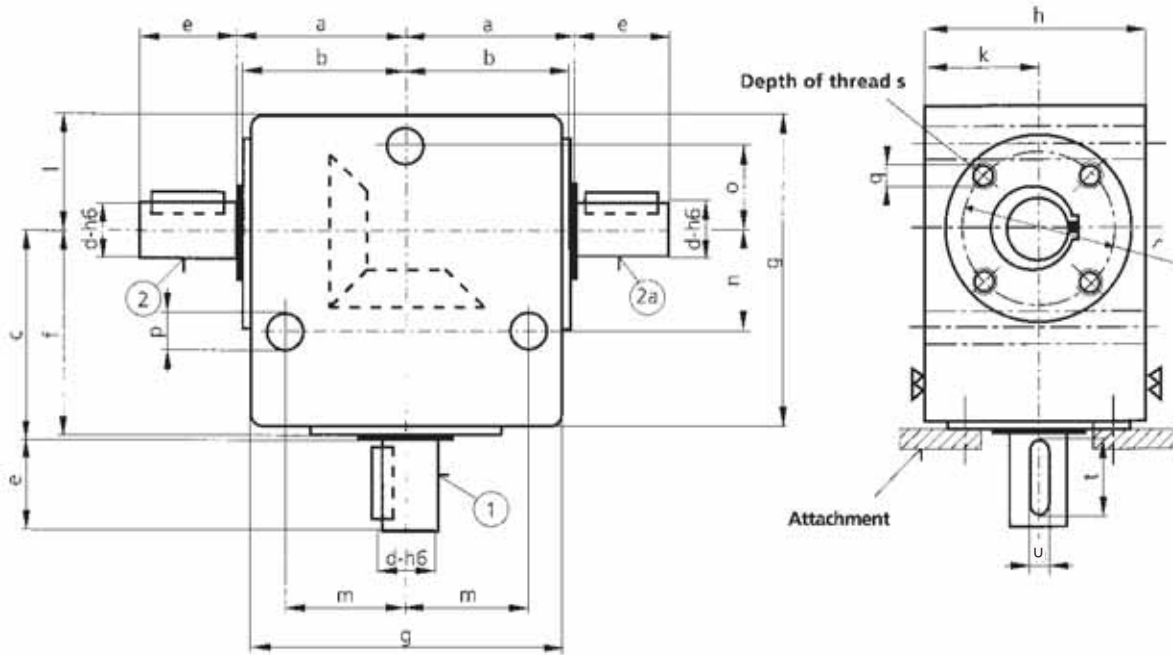
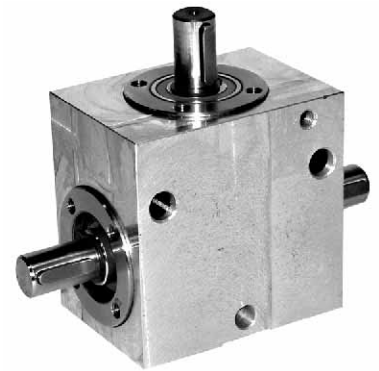
All dimensions in mm.
All dimensions are subject to change without notice.

Right Angle Drives - Type LM

For general mechanical engineering

Type LM 24 to LM 240

- Lightweight design
- Lubrication: Grease - for lifetime
- Ratios: 1:1 and some 2:1
- Max input speed: 1000rpm
- Housing: Aluminium alloy



Example: Add to part number 1 = 1:1
 2 = 2:1
 D = double output shaft

Part No.	Ratio	Dimensions																		Weight		
		a	b	c	d-h6	D-he	e	f	g	h	k	l	m	n	o	p	q	r	s		t	u
LM24-	1:1	31	30	38	8	-	15	37	58	42	21	22	23	20	-	7	M4	29	8	12	2	0.48
LM60-	1:1, 2:1	38	37	44.5	10	-	18	43.5	70	50	25	27.5	27.5	23	-	8.5	M5	34	9	14	3	0.94
LM120-	1:1, 2:1	45	44	54	15	-	26	53	84	60	30	32	32.5	27	23	8.5	M6	41	9	20	5	1.7
LM240-	1:1, 2:1	53	52	65	17	-	28	64	100	70	35	37.5	40	32	28	10.5	M6	48	10	20	5	2.8

All dimensions in mm.
 All dimensions are subject to change without notice.



T.E.A. Machine Components Inc.

Your partner in quality engineering components since 2003

Thank you for downloading product information from TEA's wide range of engineering components.

Now, please contact us for any further information, prices and delivery.

Our contact details are:

T.E.A. Machine Components Inc.
2281-F Dabney Road
Virginia 23230
U.S.A.

Ph: +1-804-342-0004

Fax: +1-804-342-0006

Web: www.teausa.net

Email: sales@teausa.net

You are assured of prompt and efficient service at all times.