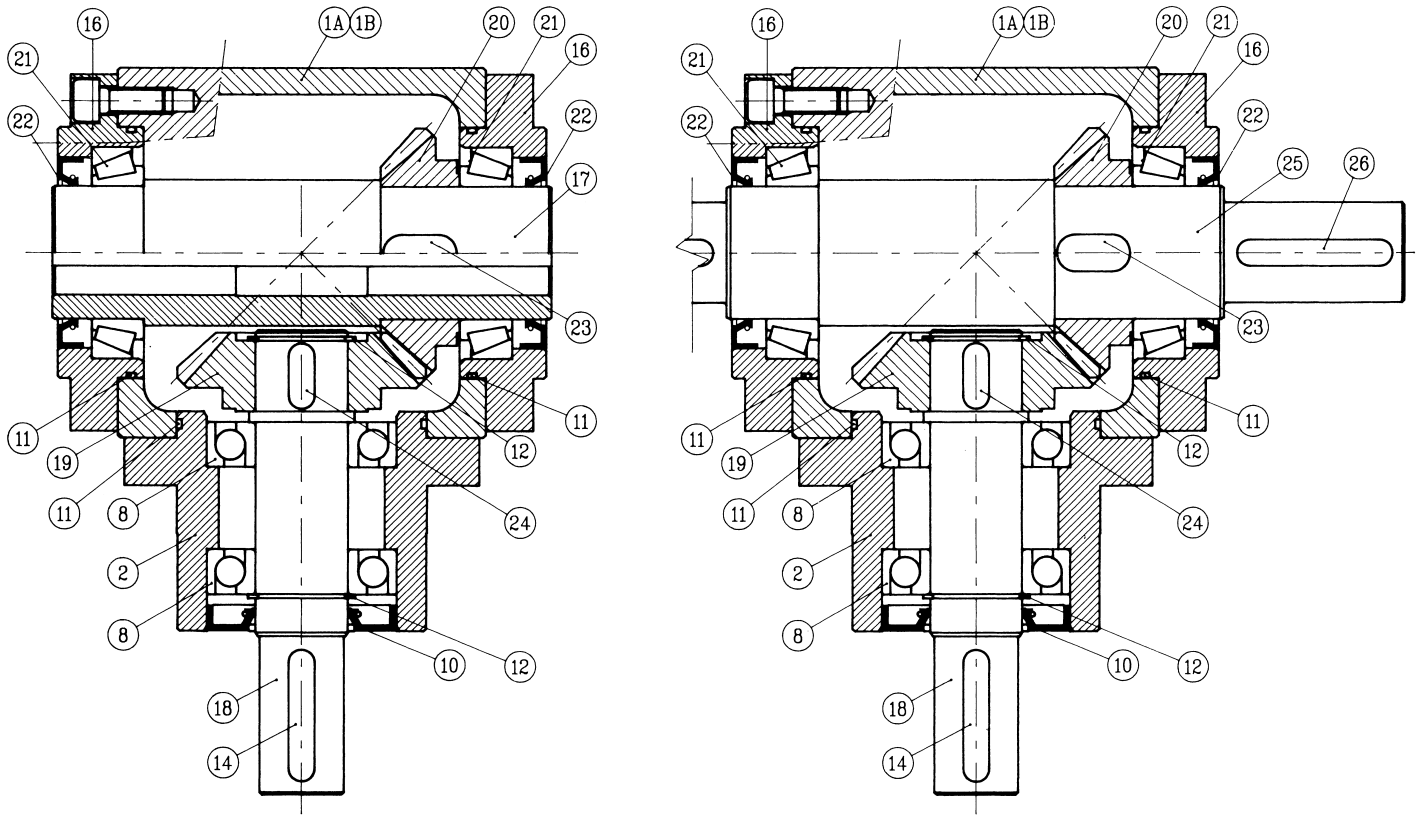


12. PART LIST

12.2 BEVEL GEARBOX WITH HOLLOW SHAFT (AH) AND REINFORCED EXTENDED SHAFT (AP)



All dimensions in mm

Part. No.	Description	BG12	BG19	BG24	BG32	BG38	BG42	BG55	BG75
16	Output cover	4013BGxx							
17	Hollow shaft	3004BGxx							
18	Shaft for pinion 1:1		3002BG19	3005BG24	3005BG32	3002BG38	3002BG42	3002BG55	3002BG75
19	Bevel Pinion 1:1		5111BG19	5111BG24H	5111BG32H	5111BG38	5111BG42	5111BG55	5111BG75
20	Bevel wheel	52yyBGxxH							
21	Ball bearing		32006X	32007X	32010X	32012X	32012X	32015X	32224X
22	Oil seal		30x47x8	35x55x10	50x72x10	60x90x10	60x90x10	75x100x10	120x150x12
23	Key		8x18	10x25	14x28	14x32	14x40	16x55	22x70
24	Key			8x20	10x25				
25	Reinforced shaft	3001BGxxP							
26	Key		8x40	10x50	10x60	12x70	14x80	20x100	25x140

xx = Size (12-19...55-75)

yy = Ratio (11=1/1 - 12=2/1.....)

For the ratios above 1:1 the bevel pinion (19) is integral with the shaft as part. (6B).

All dimensions are subject to change without notice.