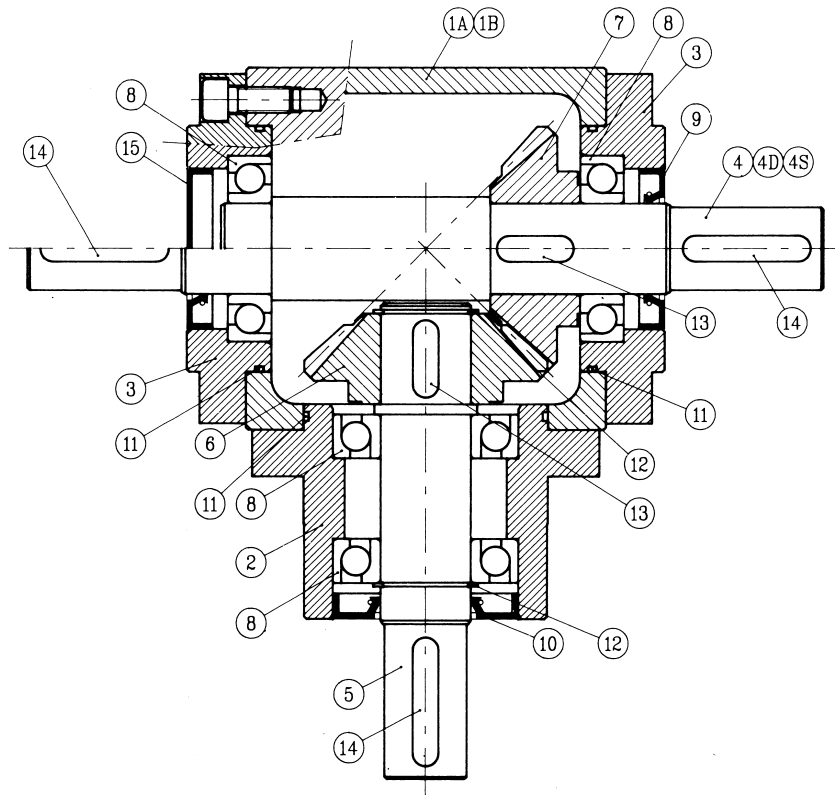


## 12. PARTS LIST

### 12.1 BEVEL GEARBOX TYPE A, AD, AS



All dimensions in mm

Part No.	Description	BG12	BG19	BG24	BG32	BG38	BG42	BG55	BG75
1A	Bevel gearbox A	2001BGxxA							
1B	Bevel gearbox B	2001BGxxB							
2	Input housing	4002BGxx							
3	Output cover	4001BGxx							
4	Extended shaft A	3001BGxx							
4D	Extended shaft AD	3001BGxxAD							
4S	Extended shaft AS	3001BGxxAS							
5	Shaft for pinion 1:1	3002BGxx							
6A	Bevel pinion 1:1	5111BGxx							
6B	Bevel pinion	51yyBGxx							
7	Bevel wheel	52yyBGxx							
8	Ball bearing	6003-2Z	7204	7205	7207	7209	7209	7212	7317
9	Oil seal	17x28x6	20x40x7	25x45x10	35x62x7	45x72x10	45x72x10	60x90x10	85x110x12
10	Oil seal	17x35x6	20x47x8	25x52x10	35x72x10	45x85x10	45x85x10	60x110x12	80x110x12
11	O-Ring	3150	2224	3275	3350	3475	4525	4675	3925
12	Circlip	17 E	20 E	25 E	35 E	45 E	45 E	60 E	85 E
13	Key	5x12	6x20	8x25	10x30	12x35	14x40	18x50	25x70
14	Key	4x20	6x35	8x40	10x50	10x60	12x70	16x100	22x140
15	Bung	28	40	45	62	72	72	90	/

xx = Size (12-19...55-75)

yy = Ratio (11=1/1 - 12=2/1.....)

For the ratios above 1:1 the pinion (6B) is integral with the shaft (5).

All dimensions are subject to change without notice.