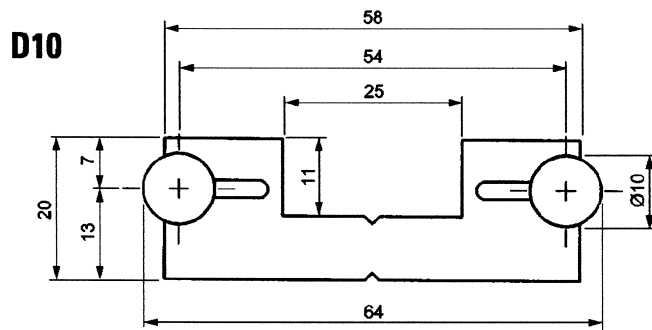
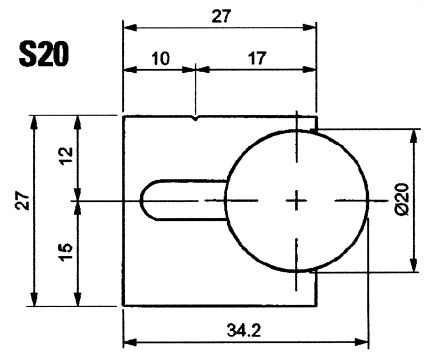
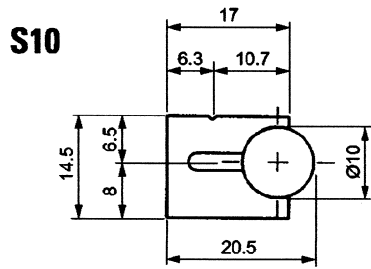


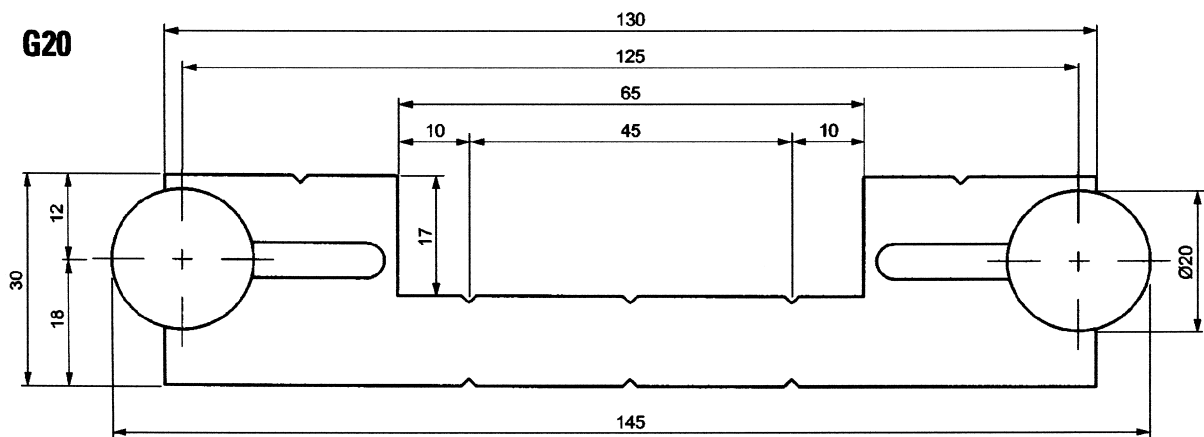
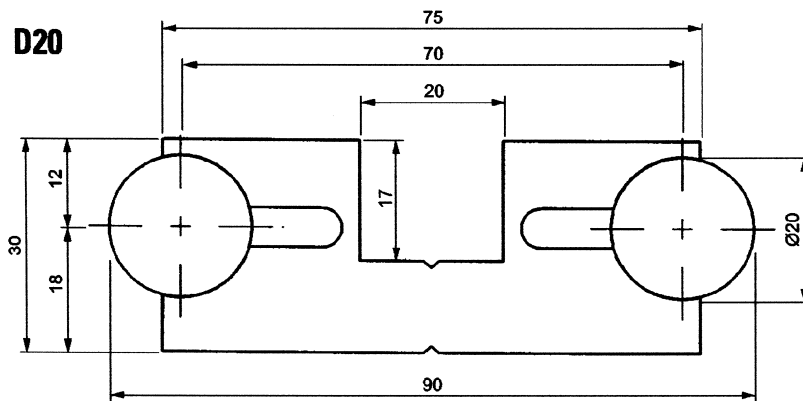
GUIDEWAY DIMENSIONS



Technical Data

Slide Type*	Weight per ft (lbs)
S10__	0.73
S20__	2.23
D10__	2.01
D20__	5.58
G20__	7.04

Add SS to type for stainless steel version
ex. S10SS



All dimensions are subject to change without notice.