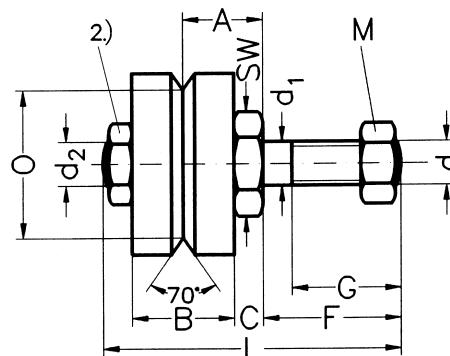
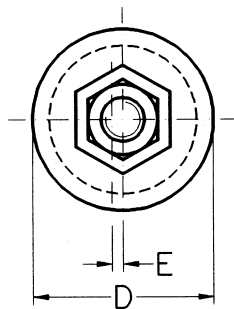
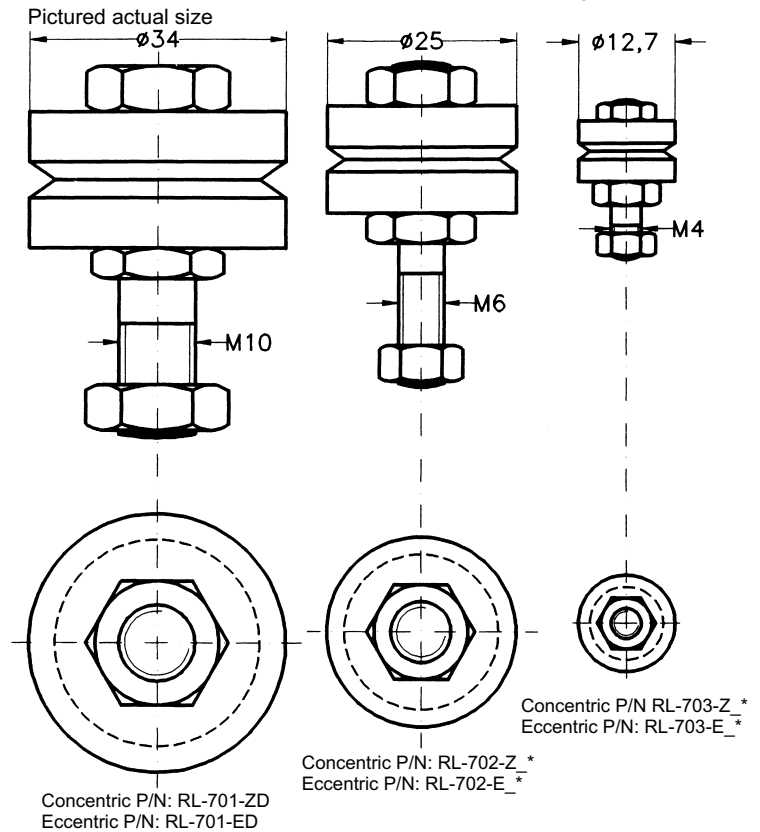


# ROLLER BEARING GUIDE WHEELS - suitable for 70° Slideways

**Material:** Inner & Outer Ring: AISI 52100  
 Cage: CuZn 36  
 Shield: CuZn 36  
 Seal: NBR-Acrylnitril  
 Shaft: Long version: AISI 1045  
 Short stud: 35 M nSPb 10



Dimensions in mm

Part No.		A	B	C	D	d	+0.0 -0.03 d <sub>1</sub>	d <sub>2</sub>	1.) E	F	G	L	DIN 934 M	O	SW
Concentric	Eccentric														
RL-701-ZD	RL-701-ED	7.1	8	3.1	12.7	M4	4	M4	0.5	8.0	4.5	21.5	M4	9.64	8
RL-702-Z_*	RL-702-E_*	11	14	4	25	M6	6	M8	1.5	19	15	43	M6	20.40	13
RL-703-Z_*	RL-703-E_*	13	18	4	34	M10x1	10	M10x1	1.5	21	15	50	M10x1	27.16	17

\* = Add "D" for optional seal.

1.) Data for eccentric roller bearing only.

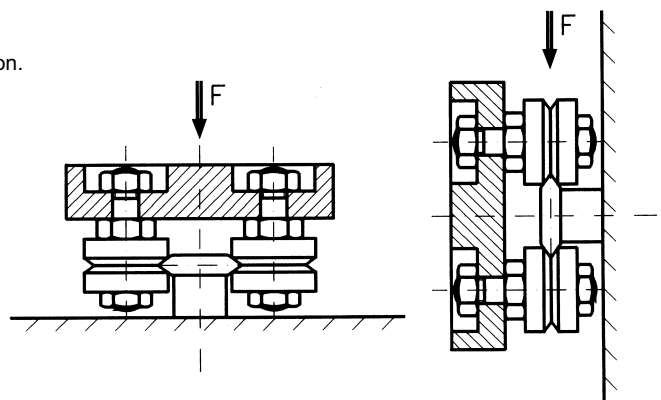
2.) Nuts on eccentric roller bearings are galvanized for easy recognition.

**Loads:**

If roller bearings are combined with trolley/carriage plate the following load table applies:

Part No.	Max. center load over 4 roller bearings
RL-701ZD/ED	90N
RL-702Z_/E_	440N
RL-703Z_/E_	880N

If additional two eccentric roller bearings are used - add 40% to max. load.

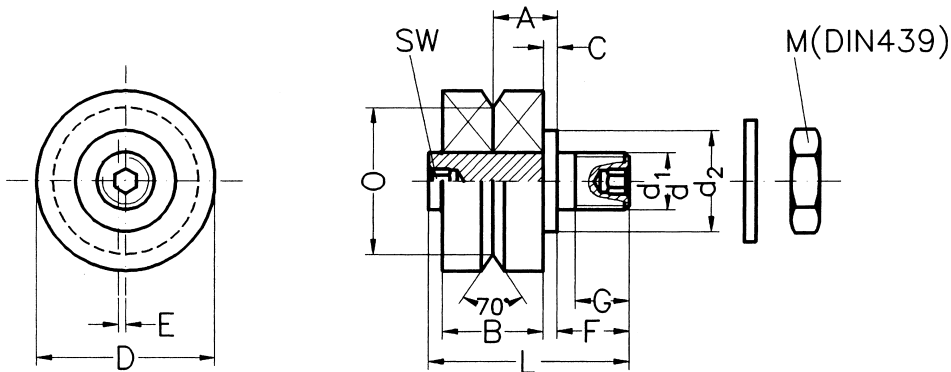
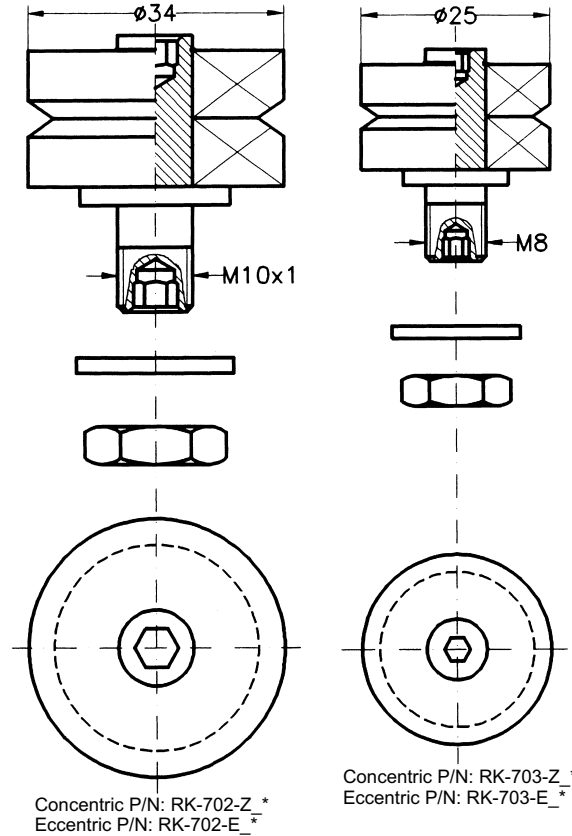


All dimensions are subject to change without notice.

# ROLLER BEARING GUIDE WHEELS - suitable for 70° Slideways

**Material:** Inner & Outer Ring: AISI 52100  
 Cage: CuZn 36  
 Shield: CuZn 36  
 Seal: NBR-Acrylnitril  
 Shaft: Long version: AISI 1045  
 Short stud: 35 M nSPb 10

Pictured actual size



Dimensions in mm

Part No.		A	B	C	D	d	+0.0 -0.03	d <sub>1</sub>	d <sub>2</sub>	1.) E	F	G	L	DIN 439 M	O	SW
Concentric	Eccentric															
RK-702-Z_*	RK-702-E_*	9	14	2.0	25	M8	8	14	1	10	7.5	27.2	M8	20.40	3	
RK-703-Z_*	RK-703-E_*	11.5	18	2.5	34	M10x1	10	20	1	14	9.0	36.5	M10x1	27.16	5	

\* = Add "D" for optional seal.

1.) Data for eccentric roller bearing only.

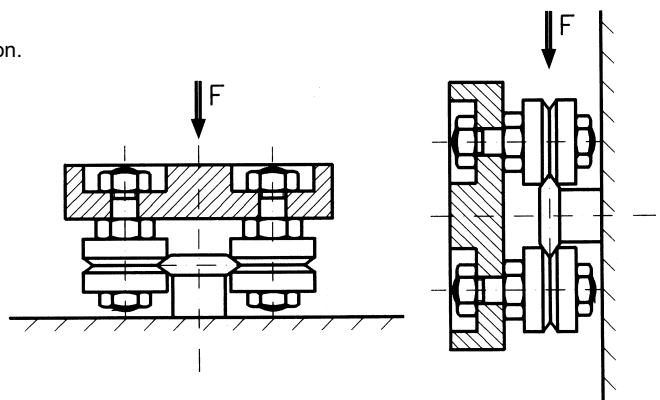
2.) Nuts on eccentric roller bearings are galvanized for easy recognition.

**Loads:**

If roller bearings are combined with trolley/carriage plate the following load table applies:

Part No.	Max. center load over 4 roller bearings
RK-702Z_/E_	440N
RK-703Z_/E_	880N

If additional two eccentric roller bearings are used - add 40% to max. load.



All dimensions are subject to change without notice.