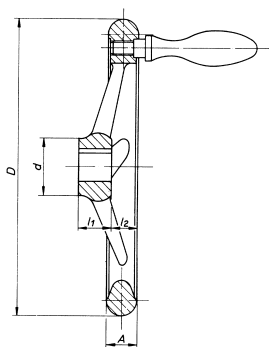
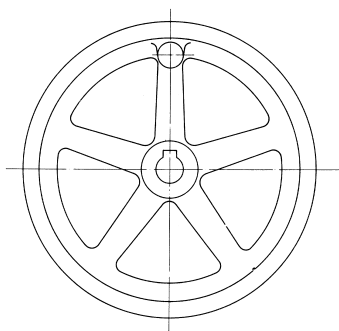


# POLISHED ALUMINUM SPOKE WHEEL

- DIN 950



Dimensions in mm

Part No.	D	d	l <sub>1</sub>	l <sub>2</sub>	A
<b>DIN950.80</b>	80	24	16	13	14
<b>DIN950.100</b>	100	26	17	16	15
<b>DIN950.125</b>	125	28	18	18	16
<b>DIN950.140</b>	140	30	19	20	17
<b>DIN950.160</b>	160	32	20	20	18
<b>DIN950.180</b>	180	40	22	21	20
<b>DIN950.200</b>	200	38	24	21	22
<b>DIN950.225</b>	225	42	26	22	24
<b>DIN950.250</b>	250	45	28	22	26
<b>DIN950.280</b>	280	50	30	23	26
<b>DIN950.315</b>	315	53	33	23	28
<b>DIN950.360</b>	360	61	35	24	30
DIN950.400	400	65	38	25	32
DIN950.500	500	78	45	27	34
DIN950.560	560	90	50	32	36

Spoke wheels in **bold** generally in stock.

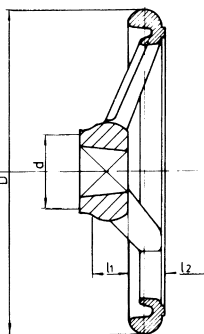
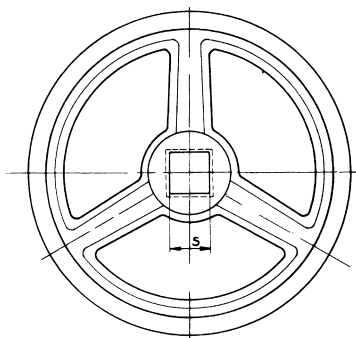
All wheels have blind holes.

Keyway not standard.

Operating handles ordered separately, see page 125.

# UNPOLISHED ALUMINUM SPOKE WHEEL

Suitable for valves etc.



Dimensions in mm

Part No.	D	d	s	l <sub>1</sub>
<b>HR-RI.60</b>	60	18		12
<b>HR-RI.100</b>	100	26	9	17
<b>HR-RI.125</b>	125	40	11	18
<b>HR-RI.140</b>	140	40	11	19
<b>HR-RI.160</b>	160	40	12	20
<b>HR-RI.180</b>	180	40	14	22
<b>HR-RI.200</b>	200	45	14	22
<b>HR-RI.225</b>	225	55	17	26
<b>HR-RI.250</b>	250	55	17	26
HR-RI.315	315	60	19	30
HR-RI.400	400	70	24	34
HR-RI.500	500	80	27	38

Spoke wheels in **bold** generally in stock.

Blind hole as standard.

All dimensions are subject to change without notice.