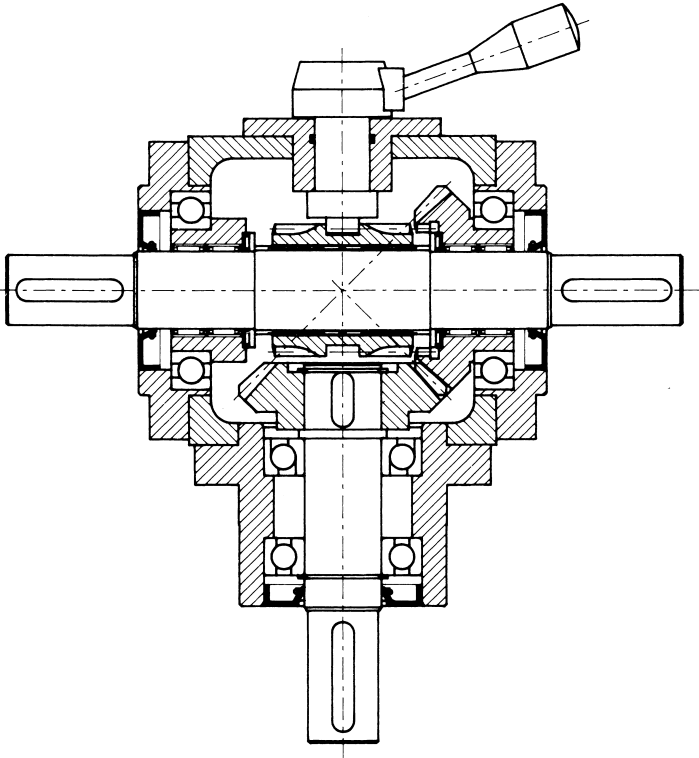


Disengaging spiral bevel gearboxes are manufactured in ratio 1:1, 1:2, 1:3 only.
 Operation of the lever disengages the 90 degree shaft.
 This is normally carried out by hand and may only take place when the unit is stationary.
 Disengaging spiral bevel gearboxes are produced in sizes BG32, BG42, BG55 only.
 Selection corresponds to input kW and output torque as pages 72-73 reduced by 15%.
 Dimensions and mounting positions are the same as type A (pages 80-81) and type DR (pages 92-93).



Type A

Type D

