

REVERSING SPIRAL BEVEL GEARBOXES

90 DEGREE REVERSING SPIRAL BEVEL GEARBOXES

TYPE IO

90 degree reversing spiral bevel gearboxes are available with ratio 1:1 and 1:2 only.

By moving the control lever from fully engaged through neutral to fully engaged in the opposite direction the 90 degree shaft will change rotation.

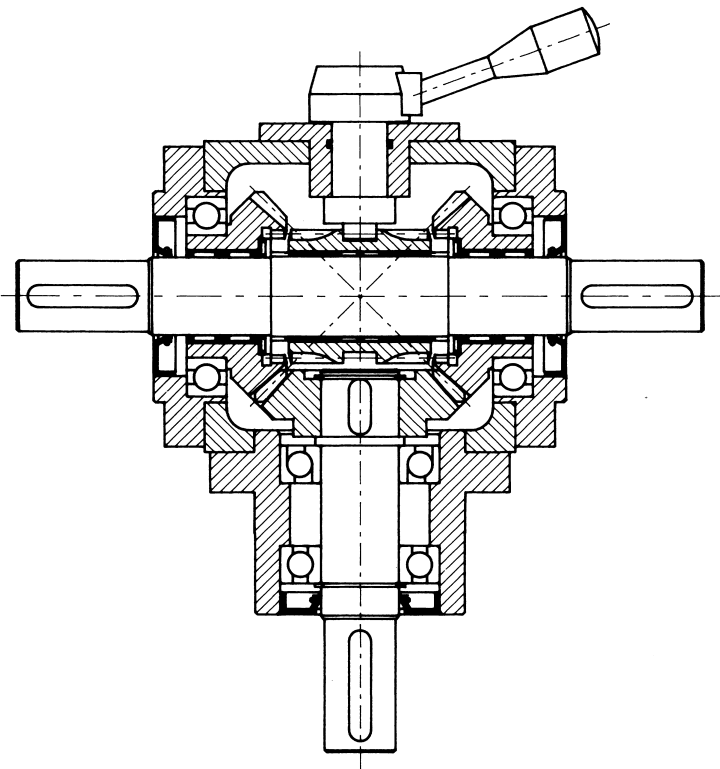
Operation of the lever, which is normally carried out by hand, may only be done when the unit is stationary.

Engaging position is usually indifferent, and reversing spiral bevel gearbox is called FP (Full Position). On request may be supplied with option SP (Single Position) and is possible only one engaging position on 360 degrees.

Reversing bevel gearboxes are produced in sizes BG32, BG42, BG55 only.

Selection corresponds to input kW and output torque as pages 72-73 reduced by 30%.

Dimensions and mounting positions are the same as type A (pages 80-81) and type DR (pages 92-93).



Type A

Type D

