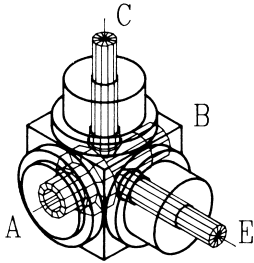
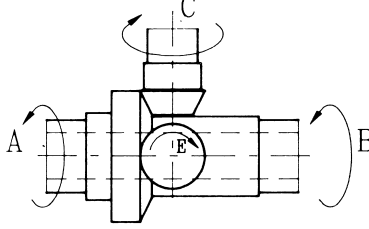
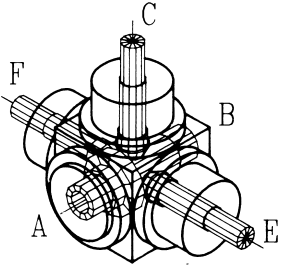
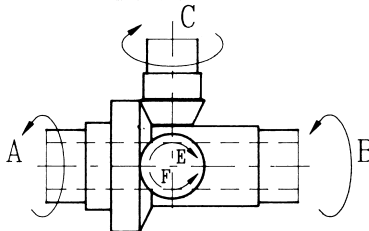


MULTISHAFT BEVEL GEARBOXES

MULTI SHAFT TYPE	Possible Combinations	Gear positions and rotations
AH 90		
AH 180		
AH 270	