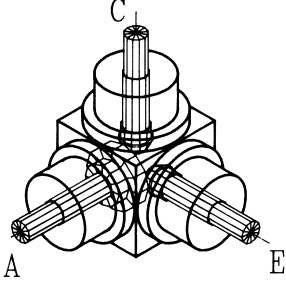
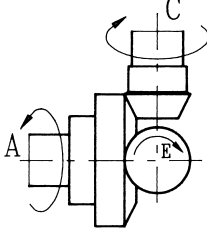
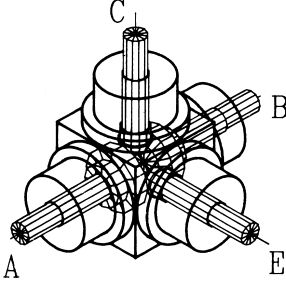
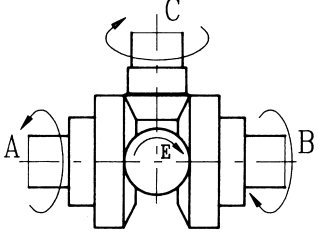
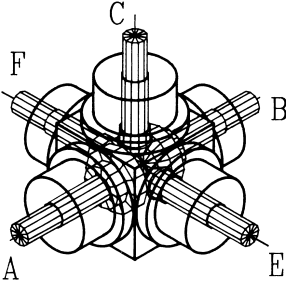
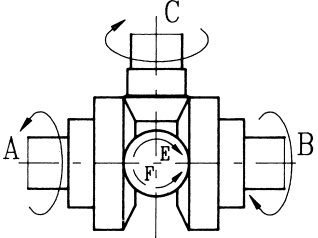
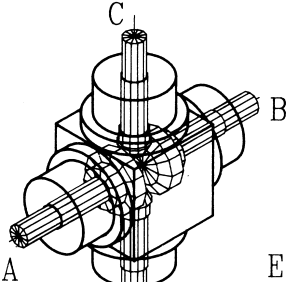
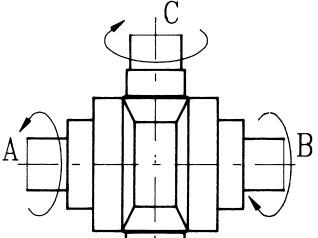


MULTISHAFT BEVEL GEARBOXES

MULTI SHAFT TYPE	Possible Combinations	Gear positions and rotations
C 90		
D 90		
DB 90		
DB		
DB 180	