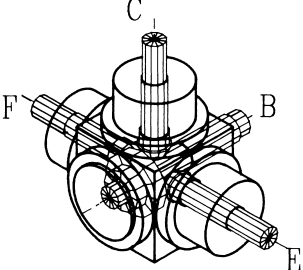
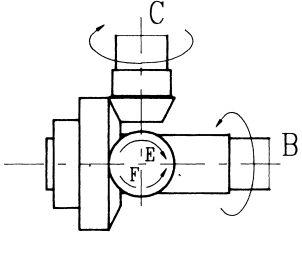
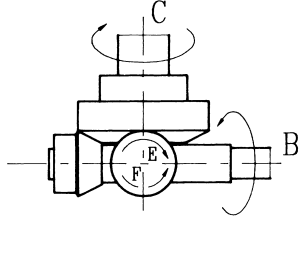
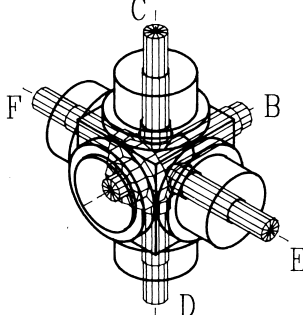
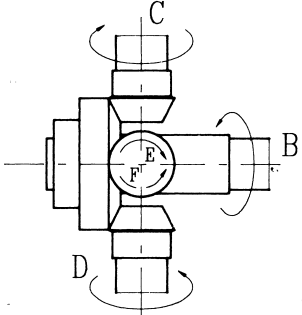
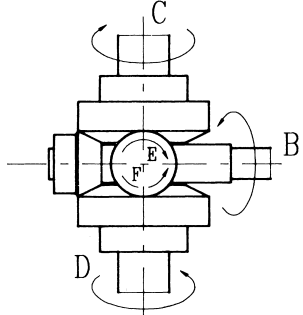
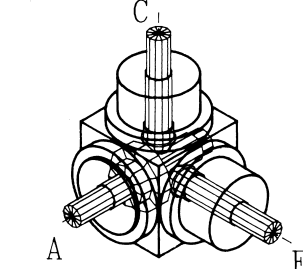
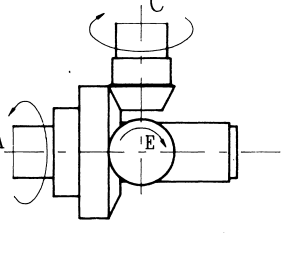
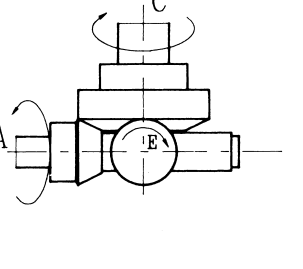
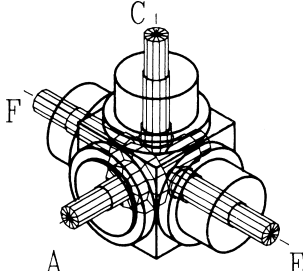
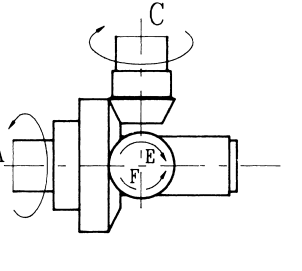
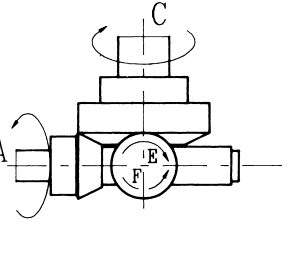


MULTISHAFT BEVEL GEARBOXES

MULTI SHAFT TYPE	Possible Combinations	Gear positions and rotations	
		Speed reducers	Speed increasers
AS 180			
AS 270			
AD 90			
AD 180			
AD 270	